





.....6NH)&6'J*E'H<FI'6NH)&6'*E

9`YWhf]WU`7\UfUWhYf]gh]Wg`

--	--	--	--	--	--	--	--

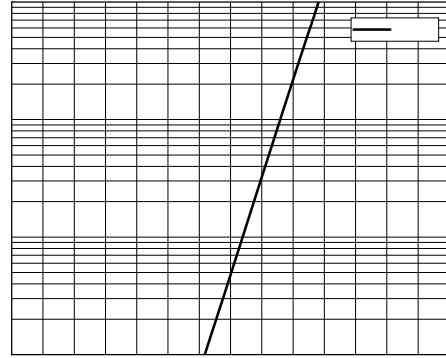
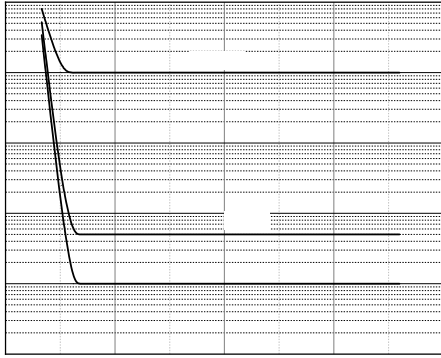




.....6NH)&6'J*E'H<FI'6NH)&6'*E

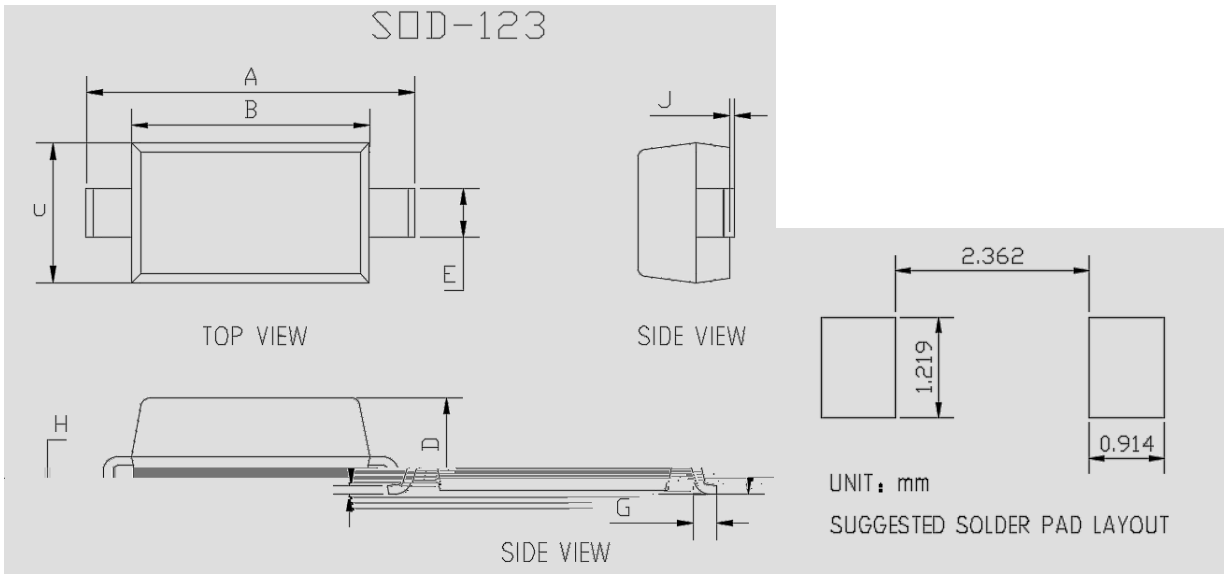
`7\UfUWhYf]gh]Wg





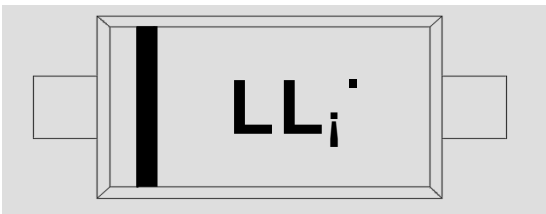


C i h`bY'8]a Ybg]cbg`



DIMENSIONS					
DIMENSION	INCHES		MM		DESCRIPTION
	MIN	MAX	MIN	MAX	
A	0.152	0.350	3.50	3.85	Package width
B	0.100	0.120	2.50	2.85	Package body width
C	0.055	0.071	1.40	1.80	Lead length
D	---	0.053	---	1.35	Lead thickness
E	0.020	0.028	0.51	0.71	Lead width
H	0.100	---	0.25	---	Lead height
J	0.006	---	0.15	---	Lead thickness

AUf_]b[:bZcf a Uh]cb`





.....6NH)&6'J*E'H<FI'6NH)&6'*E

8]gW'U]aYf'
